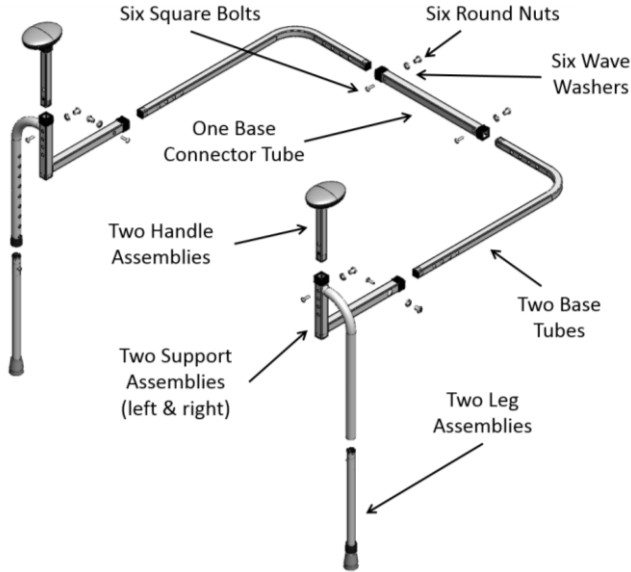


# Assembly Instructions:

1. Remove all parts from the box and become familiar with each item as shown in Figure 1.

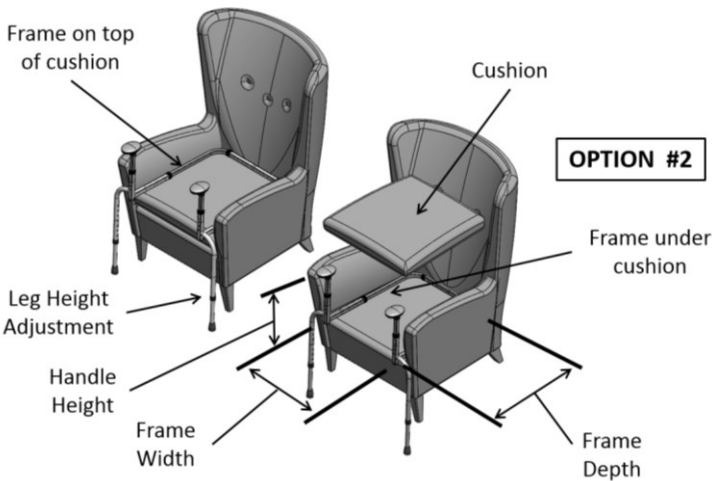


**FIGURE 1**

**NOTE:** Figure 2 shows the assembled product being used in two different ways. Some chairs, recliners, and couches require the product frame to be placed on top of a cushion (since the cushion cannot be removed), and some chairs, recliners and couches will allow the product frame to be placed under the cushion.

2. Before assembling the product, determine if the frame of the product will be placed on top of the cushion or below the cushion. Then determine the desired height of the handle, and the width and depth of the assembled frame to fit your chair, recliner or couch.

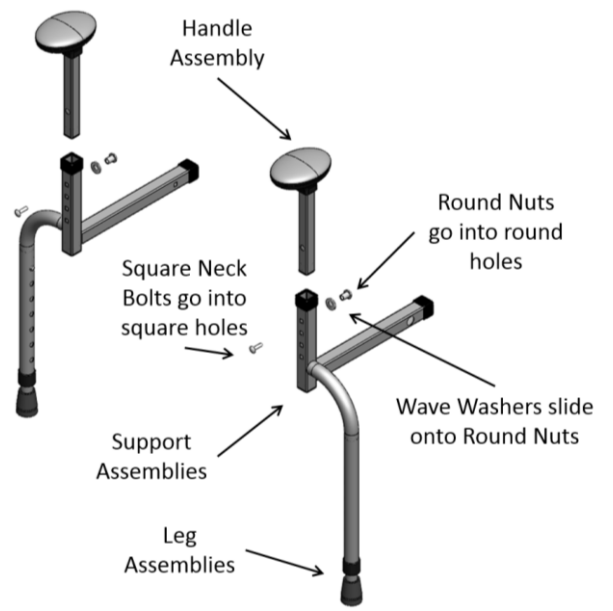
**OPTION #1**



**FIGURE 2**

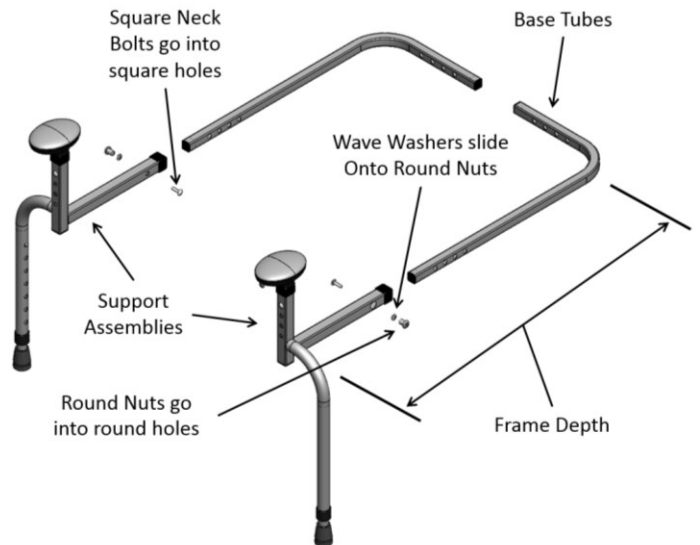
3. Insert the Handle Assemblies into Support Assemblies and adjust the Handle Assemblies to the desired height. Secure the Handle Assemblies using Square Bolts and Round Nuts as shown in Figure 3.

**Note:** Square Bolts (bolts with a square neck) will always be assembled into square holes and Round Nuts will always be assembled into round holes. Slide Wave Washer onto Round Nut before assembling.



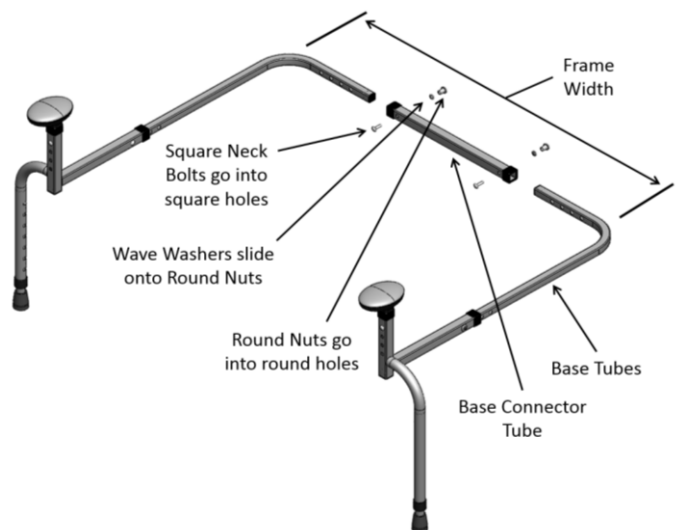
**FIGURE 3**

4. Insert the Base Tubes into the Support Assemblies. Adjust the Base Tubes to the Frame Depth that will fit your chair, recliner, or couch and secure the Base Tubes with the Square Bolts and Round Nuts as shown in Figure 4.



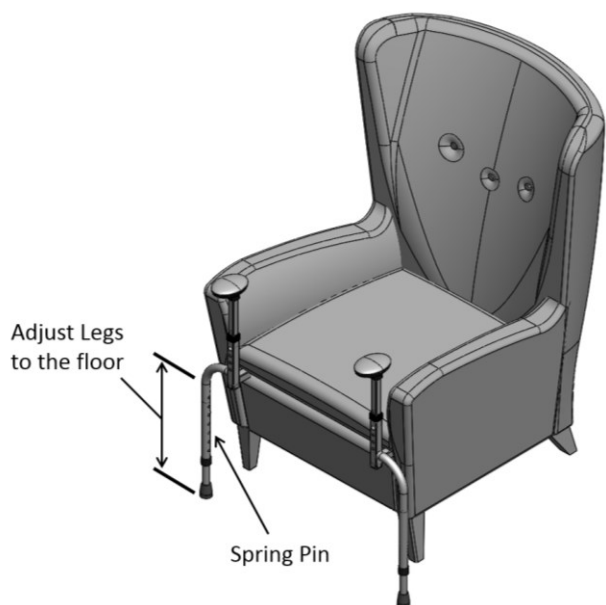
**FIGURE 4**

5. Insert the Base Tubes into the Base Connector Tube. Adjust the Base Tubes to the Frame Width that will fit your chair, recliner, or couch and secure the Base Tubes with the Square bolts and Round Nuts as shown in Figure 5.



**FIGURE 5**

6. Position the product on your chair, recliner, or couch and depress the Spring Pins to adjust the Leg to the floor as shown in Figure 6.



**FIGURE 6**