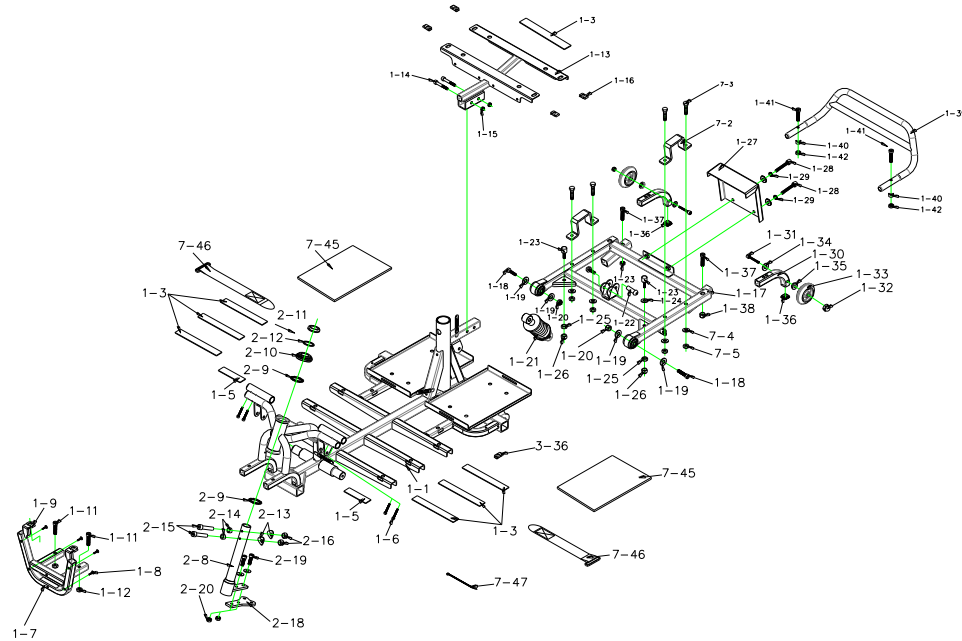


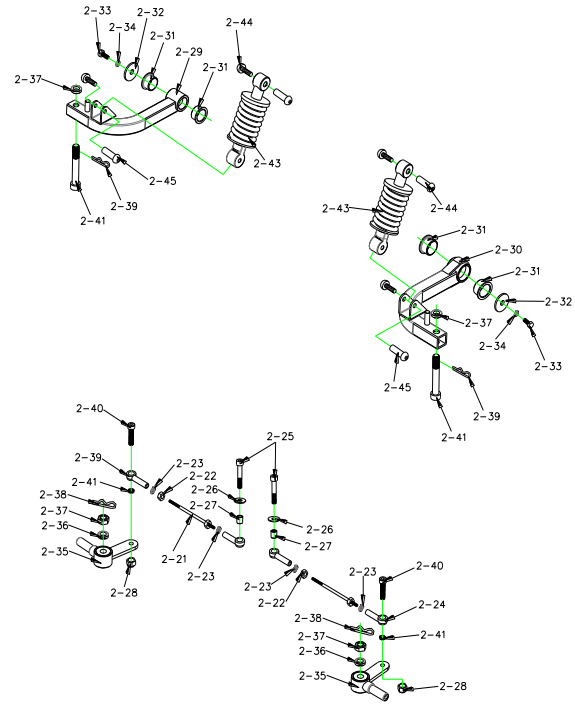
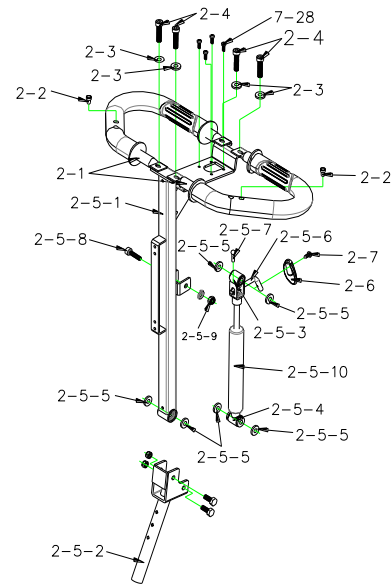
L4D Parts List (2015/09/18)



WT-L4D售服零件表

L4D Parts List (2015/09/18)					
Fig&Index NO.	Parts No.	Parts Name Description	QTY.	EN01	Remark
1	B-L4D-FRAM-00-00	FRAME Assembly			
1-1	C01-077-00100	FRAME,FRONT	1	V	
1-2	9237060000000	U-type SPRING NUT,M6x2t, ED	4	V	
1-3	C31-001-10200	VELCRO STRIP,LOOP 160mm	7	V	
1-4	C01-077-00300	BRACKET , FRAME SHORUD	2	V	
1-5	C31-017-00200	VELCRO STRIP,LOOP 100mm	2	V	
1-6	9022060351001	HEXAGON BOLT , M6X35L	4	V	
1-7	C01-077-00400	FRONT BUMPER	1	V	
1-8	9005060301003	BOLT, M6X30L	4	V	
1-9	9237060000000	U-type SPRING NUT,M6x2t, ED	2	V	
1-10	C05-017-00600	SPACER , Ø8.1XØ11X3T	4	V	
1-11	9035080551253	HEXAGON BOLT , M8x55L	2	V	
1-12	9201080801252	LOCK NUT,M8	2	V	
1-13	C01-077-00500	BRACKET , REAR SHORUD	1	V	
1-14	9035080401251	HEX SOCKET BOLT,M8xP1.25x40L, GRADE 12.9, DACROMET	2	V	
1-15	9206081251252	LOCK NUT,M8	2	V	
1-16	9237060000000	U-type SPRING NUT,M6x2T, ED	4	V	
1-17	C01-077-00200	FRAME,REAR	1	V	
1-18	9035100651503	HEX SOCKET BOLT,M10xP1.5x55L, GRADE 12.9, DACROMET	4	V	
1-19	9214100200202	WASHER	4	V	
1-20	9201101001502	LOCK NUT,M10xP1.5, ZINC PLATED	2	V	
1-21	C04-040-00100	REAR ABSORBER , 650LBS	1	V	
1-22	9027060301256	LOCK SCREW , M8XP1.25X30L	2	V	
1-23	C26-062-00201	CHASSIS RUBBER STOPPER	2	V	
1-24	9214080300232	WASHER M8	2	V	
1-25	9202080601251	NUT,M8XP1.25	2	V	
1-26	9206081251252	LOCK NUT,M8	2	V	
1-27	C10-077-00100	HOLDER , CONTROLLER	1	V	
1-28	9021080251255	HEX SCREW,M8xP1.25x20L,GRADE 12.9, DACROMET	2	V	
1-29	9211080200143	SPRING WASHER,M8, ZINC PLATED,8mm ID x14mm OD x2.0mm TH	2	V	
1-30	C01-062-01102	ANTI-TIPPERS	2	V	
1-31	9021080351251	HEX SOCKET BOLT,M8xP1.25x40L, GRADE 12.9, DACROMET	2	V	
1-32	9206081251252	Lock Nut,M8	2	V	
1-33	C28-032-00100	ANT-TIP WHEELS	2	V	
1-34	9214080160186	WASHER	2	V	
1-35	C26-053-00200	WASHER,Ø14xØ8x3.5L	2	V	
1-36	C26-016-00700	PLUG , 20X20mm	2	V	
1-37	9035080601251	HEX SOCKET BOLT,M8xP1.25x60L, GRADE 12.9, DACROMET	2	V	
1-38	9206081251252	LOCK NUT,M8	2	V	
1-39	C01-077-00600	REAR BUMPER	1	V	
1-40	C02-009-01400	CURVED WASHER,OD:17mm, ID:6.2mm, T:6T	2	V	
1-41	9035060351003	HEXAGON BOLT , M6x35L	2	V	
1-42	9201060601002	LOCK NUT,M6, ED	2	V	

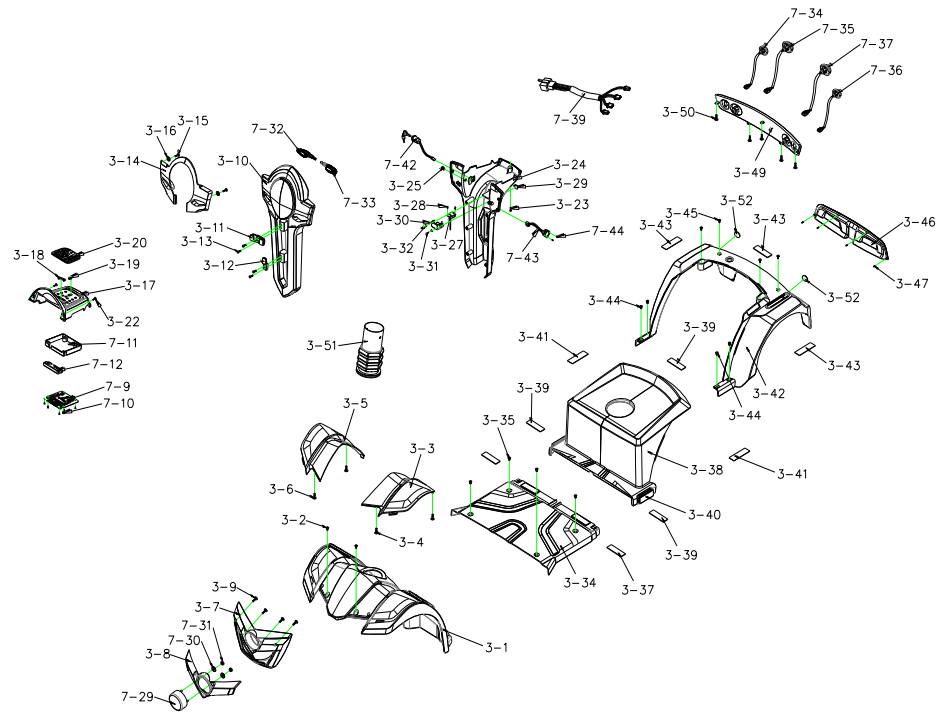
L4D Parts List (2015/09/18)



WT-L4D售服零件表

L4D Parts List (2015/09/18)					
Fig&Index NO.	Parts No.	Parts Name Description	QTY.	EN01	Remark
2	B-L4D-FBAR-00-00	FRONT AND HANDLE BAR			
2-1	C02-062-00101	HANDLE BAR, CONNECTION ROD	2	V	
2-1-1	C02-062-00200	HANDLE BAR	2	V	
2-2	C25-062-00100	PLUG	2	V	
2-3	9214060100132	WASHER	4	V	
2-4	9022060151001	BOLT M6X15L	4	V	
2-5	C02-077-00100	HANDLE BAR, T TYPE	1	V	
2-5-1	C02-077-00200	HANDLE BAR, T TYPE UPPER	1	V	
2-5-2	C02-036-00400	HANDLE BAR, T TYPE LOWER	1	V	
2-5-3	C02-029-00402	OIL PRESSURE STICK FRAME, UPPER	1	V	
2-5-4	C02-029-00701	OIL PRESSURE STICK FRAME, LOWER	1	V	
2-5-5	C26-029-00401	WASHER,8mm	4	V	
2-5-6	C02-029-00600	LEVER	1	V	
2-5-7	9352060240000	R TYPE PIN	1	V	
2-5-8	9035080501251	BOLT M8x50	3	V	
2-5-9	9201080801252	LOCKING NUT M8x1.25	3	V	
2-5-10	C02-029-00200	OIL PRESSURE STICK, 45KG	1	V	
2-6	C26-036-00100	SHAFT	1	V	
2-7	9004040080704	BOLT M4x8	1	V	
2-8	C03-036-00101	L TYPE STEERING AXLE	1	V	
2-9	C29-001-10200	BEARING	2	V	
2-10	C29-001-10401	BEARING BUSH	1	V	
2-11	C29-001-10501	LOCKING NUT,BEARING	1	V	
2-12	9214290300353	COLLARLESS WASHER	1	V	
2-13	9250080200193	CURVED WASHER,M6, BLACK OXIDE,6mm ID ×19mm OD ×1.0mm TH	1	V	
2-14	9367170800300	CURVED WASHER,OD:17mm, ID:6.2mm, T:6t	1	V	
2-15	9035080401251	BOLT M8xP1.25x25L	1	V	
2-16	9201080801252	LOCK NUT M8x1.25	1	V	
2-17	C31-001-01000	VELCRO STRIP,LOOP 60mm	1	V	
2-18	C03-077-00100	L TYPE STEERING AXLE	1	V	
2-19	9002080251251	BOLT M8xP1.25x25L	2	V	
2-20	9201080801252	LOCK NUT M8x1.25	2	V	
2-21	C03-036-00201	CONNECTION ROD, GUIDING	2	V	
2-22	9202080601251	NUT M8x13x1.25	2	V	
2-23	9211080200142	SPRING WASHER,M8, ZINC PLATED,8mm ID ×14mm OD ×2.0mm TH	4	V	
2-24	C19-029-00100	BALL JOINT(L)	2	V	
2-25	9035080451251	BOLT M8xP1.25x45l	2	V	
2-26	9214080150232	WASHER	2	V	
2-27	C01-043-01300	SPACER, Ø8.1XØ11X12T	2	V	
2-28	9201080801252	LOCK NUT M8x1.25	2	V	
2-29	C03-077-00300	RH ABSORBER ARM ASSY	1	V	
2-30	C03-077-00200	LH ABSORBER ARM ASSY	1	V	
2-31	C26-076-00100	BUSH	4	V	
2-32	9214080300353	WASHER	2	V	
2-33	9002080201255	HEX SCREW,M8×P1.25×20L, GRADE 8.8, DACROMET	2	V	
2-34	9211080200142	SPRING WASHER,M8, ZINC PLATED,8mm ID ×14mm OD ×2.0mm TH	2	V	
2-35	C03-001-00107	LH ABSORBER ARM	2	V	
2-36	C03-001-10800	SPACER 20x12x5T	4	V	
2-37	9201121201752	BOLT M12xP1.75	2	V	
2-38	9363018000002	R PIN 1.8mm	2	V	
2-39	C19-029-00200	BALL JOINT,RBL8	2	V	
2-40	9021080351251	BOLT M8xP1.25x35L	2	V	
2-41	C05-017-00600	SPACER φ8.1Xφ11X3T	2	V	
2-42	9201080801252	LOCK NUT M8x1.25	2	V	
2-43	C03-062-00300	SUSPENTION, YELLOW, 150 lbs	2	V	
2-44	9027060301256	LOCK SCREW, M8XP1.25X30L	4	V	

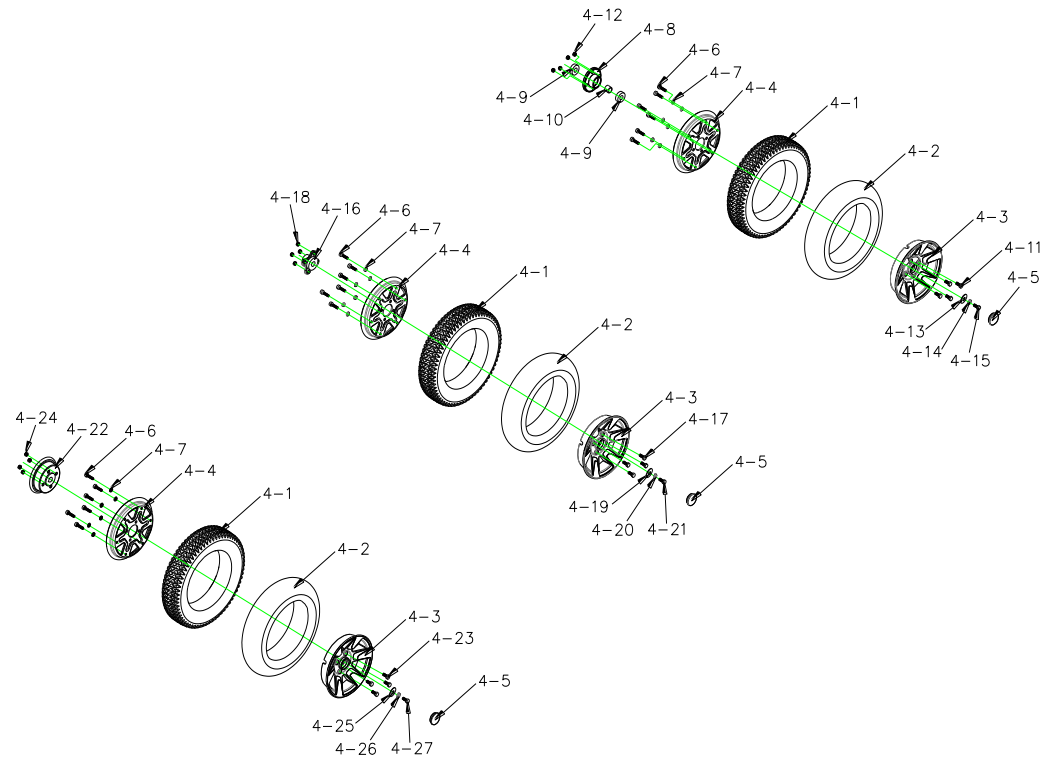
L4D Parts List (2015/09/18)



WT-L4D售服零件表

L4D Parts List (2015/09/18)					
Fig&Index NO.	Parts No.	Parts Name Description	QTY.	EN01	Remark
3	B-L4D-BCOV-00-00	BADY COVER			
3-1	C08-077-00100	FRONT SHROUD	1	V	
3-2	9005060151002	TRUSS PHILLIPS SCREW,M6*20L, BLACK ZINC	2	V	
3-3	C08-077-00211	FRONT SHROUD, DECORATION L, RED11	1	V	
3-3	C08-077-00218	FRONT SHROUD, DECORATION L, RED18	1	V	
3-3	C08-077-00251	FRONT SHROUD, DECORATION L, BLUES1	1	V	
3-3-1	C08-077-00200	FRONT SHROUD, W/O PAINTING	1	V	
3-4	9029040120002	BOLT M4x12L	2	V	
3-5	C08-077-00311	FRONT SHROUD, DECORATION ,R, RED11	1	V	
3-5	C08-077-00318	FRONT SHROUD, DECORATION ,R, RED18	1	V	
3-5	C08-077-00351	FRONT SHROUD, DECORATION ,R, BLUES1	1	V	
3-5-1	C08-077-00300	FRONT SHROUD, W/O PAINTING	1	V	
3-6	9029040120002	BOLT M4x12L	2	V	
3-7	C08-077-00400	BUMPER,FRONT,BLACK,PP	1	V	
3-8	C08-077-00511	BUMPER,FRONT, DECORATION, RED11	1	V	
3-8	C08-077-00518	BUMPER,FRONT, DECORATION, RED18	1	V	
3-8	C08-077-00551	BUMPER,FRONT, DECORATION, BLUES1	1	V	
3-8-1	C08-077-00500	BUMPER,FRONT, DECORATION, BLACK,PP	1	V	
3-9	9029040120002	BLOT M4x12	4	V	
3-10	C08-077-00611	FRONT TILLER COVER, RED11	1	V	
3-10	C08-077-00618	FRONT TILLER COVER, RED18	1	V	
3-10	C08-077-00651	FRONT TILLER COVER, BLUES1	1	V	
3-10-1	C08-077-00600	FRONT TILLER COVER, GRAY, W/O PAINTING	1	V	
3-11	C26-009-01601	BASKET HOLDER , UPPER	1	V	
3-12	C26-009-01700	BASKET HOLDER , LOWER	1	V	
3-13	9005060551003	BOLT M6xP1,0x55L	4	V	
3-14	C08-077-00700	FRONT TILLER COVER, DECORATION	1	V	
3-15	9011350150003	BOLT M3,5x15	2	V	
3-16	9214040100102	WASHER M4	2	V	
3-17	C08-077-00865	CONTROL PANEL COVER, BLACK	1	V	
3-17-1	C08-077-00800	CONTROL PANEL COVER, GRAY, W/O PAINTING	1	V	
3-18	C26-051-00200	SPEED INDICATOR PAD	1	V	
3-19	C26-051-00301	FRONT/REAR LIGHT DISPLAY PAD	1	V	
3-20	C10-051-00601	CONTROL PANEL BUTTON	1	V	
3-21	C27-077-00100	LABEL	1	V	
3-22	9011350150003	BOLT M3,5x15	2	V	
3-23	9029040120002	BOLT M4x12L	1	V	
3-24	C08-077-00900	TILLER COVER BAKER	1	V	
3-25	C25-001-00301	PLUG	1	V	
3-26	C25-029-00201	PLUG	1	V	
3-27	C16-062-00201	USB	1	V	
3-28	9034250060004	BOLT φ2.5X6L	2	V	
3-29	C26-062-00500	COVER	1	V	
3-30	C26-062-00400	USB COVER	1	V	
3-31	9011350150003	BOLT M3,5x15	2	V	
3-32	9214030080090	WASHER	2	V	
3-33	9011350150003	BOLT M3,5x15	10	V	
3-34	C08-077-01000	FLOOR, BLACK, W/O PAINTING	1	V	
3-35	9005060151002	TRUSS PHILLIPS SCREW,M6*20L, BLACK ZINC	4	V	
3-36	9237060000001	U-TYPE SPRING NUT , M6	2	V	
3-37	C31-016-00200	VELCRO STRIP, LOOP 80mm	2	V	
3-38	C08-077-01100	MAIN BATTERY COVER, BLACK, W/O PAINTING	1	V	
3-39	C31-001-01100	VELCRO STRIP, HOOK 60mm	3	V	
3-40	C24-062-00200	SIDE REFLECTOR , YELLOW	2	V	
3-41	C31-016-00100	VELCRO STRIP, HOOK 80mm	2	V	
3-42	C08-077-01211	REAR SHROUD, RED11	1	V	
3-42	C08-077-01218	REAR SHROUD, RED18	1	V	
3-42	C08-077-01251	REAR SHROUD, RED51	1	V	
3-42-1	C08-077-01200	REAR SHROUD	1	V	
3-43	C31-001-00100	VELCRO STRIP, LOOP 60mm	3	V	
3-44	9005060151002	TRUSS PHILLIPS SCREW,M6*20L, BLACK ZINC	4	V	
3-45	9004060201008	PAN PHILLIPS SCREW,M6*20L, STAINLESS STEEL	4	V	
3-46	C08-077-01300	REAR COVER	1	V	
3-47	9011040100003	BOLT M4x10	4	V	
3-48	9367120850762	SPACER , Ø8,5XØ12X5T	2	V	
3-49	C08-077-01400	REAR SHROUD, DECORATION	1	V	
3-50	9029040120002	BOLT M4x12L	6	V	
3-51	C25-045-00100	RUBBER COVER	1	V	
3-52	C24-067-00100	REFLECTORS , RED	2	V	

L4D Parts List (2015/09/18)

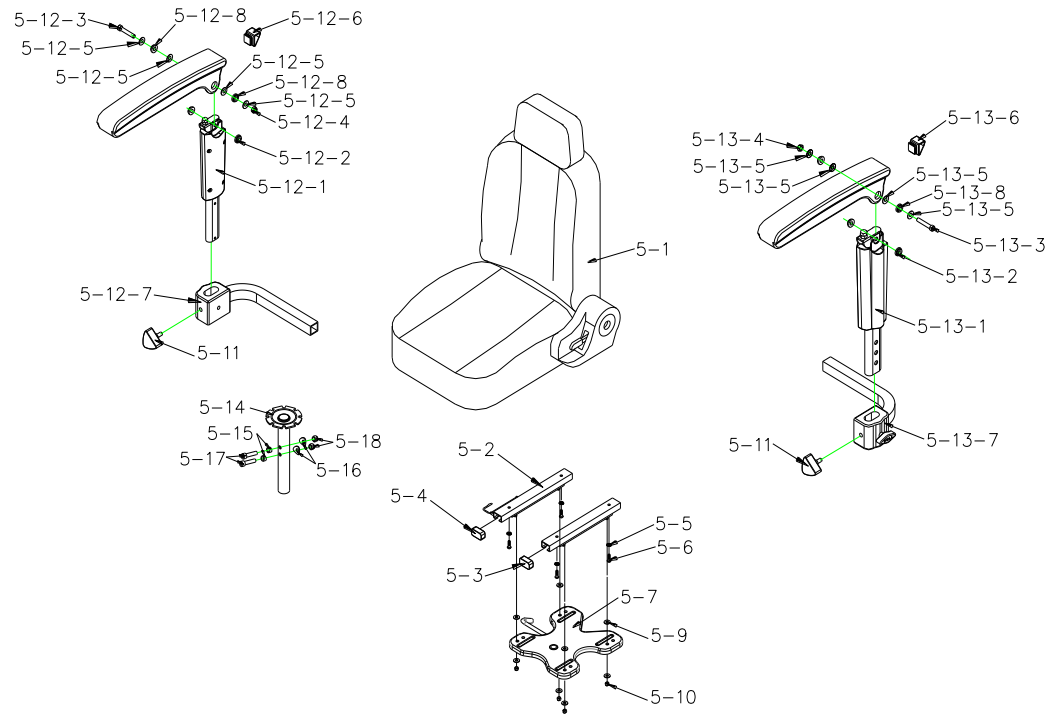


WT-L4D售服零件表

L4D Parts List (2015/09/18)

Fig&Index NO.	Parts No.	Parts Name Description	QTY.	EN01	Remark
4	B-L4D-TIRE-00-00	WHEEL			
4-1	C06-051-00100	Tire,Black	4	V	
4-2	C06-051-00201	INNER TUBE , 3.50-10	4	V	
4-3	C05-051-00302	8" OUTER WHEEL RIM	4	V	
4-4	C05-051-00401	8" OUTER WHEEL RIM	4	V	
4-5	C26-060-00502	COVER	4	V	
4-6	9021080301253	BOLT M8x30	24	V	
4-7	9211080200142	SPRING WASHER,14x8x2	24	V	
4-8	C05-001-10501	AXLE COLLAR,FRONT WHEEL	2	V	
4-9	9653060020000	BEARING,6202ZZ	4	V	
4-10	C05-051-00200	SPACER	2	V	
4-11	9001080301251	BOLT M8x30LxP1.25	4	V	
4-12	9201080801252	LOCK NUT,M8x1.25	4	V	
4-13	9214080300232	WASHER	2	V	
4-14	9211080200142	SPRING WASHER,14x8x2	1	V	
4-15	9002080201255	BOLT M8xP1.25x20L	2	V	
4-16	C06-001-10204	AXLE COLLAR,REAR WHEEL	1	V	
4-17	9001080301251	BOLT M8x30LxP1.25	4	V	
4-18	9201080801252	LOCK NUT,M8x1.25	4	V	
4-19	9214080300232	WASHER	2	V	
4-20	9211080200142	SPRING WASHER,14x8x2	1	V	
4-21	9002080201255	BOLT M8xP1.25x20L	1	V	
4-22	C06-005-00206	AXLE COLLAR	1	V	
4-23	9001080301251	BOLT M8x30LxP1.25	4	V	
4-24	9201080801252	LOCK NUT,M8x1.25	4	V	
4-25	9214080300232	WASHER	2	V	
4-26	9211080200142	SPRING WASHER,14x8x2	1	V	
4-27	9002080201251	BOLT M8xP1.25x20L	1	V	

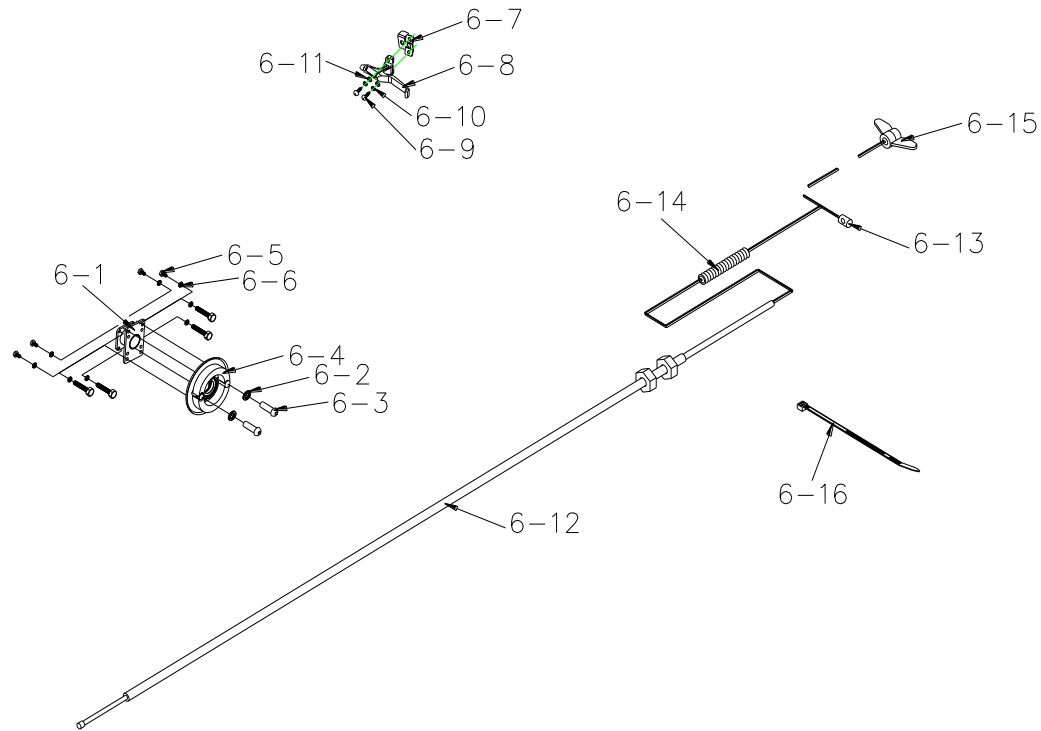
L4D Parts List (2015/09/18)



WT-L4D售服零件表

L4D Parts List (2015/09/18)					
Fig&Index NO.	Parts No.	Parts Name Description	QTY.		Remark
5	B-L4D-SEAT-00-00	SEAT ASSY		EN01	
5-1	C07-066-00300	18"18"22" SEAT , MODEL : TA386C3	1	V	
5-2	C07-016-00600	SLIDING ,150mm	1	V	
5-3	C26-003-00200	PLUG ,SLIDING-L	1	V	
5-4	C26-003-00300	PLUG ,SLIDING-R	1	V	
5-5	9211080200142	SPRING WASHER	4	V	
5-6	9032080151253	BOLT.M8x15	4	V	
5-7	C07-051-00403	HOLDER PLATE , SEAT	1	V	
5-7-1	C07-009-00402	POSITION KNOB	1	V	
5-8	C26-001-00602	PLUG	2	V	
5-9	9214080150232	WASHER	8	V	
5-10	9201080801252	LOCK NUT.M8x1.25	4	V	
5-11	C30-001-10202	TRIANGEL BOLT.M8x25	2	V	
5-12	C07-044-00504	ARMREST ,UPPER	1	V	
5-12-1	C07-077-00100	ARMREST ,LOWER	1	V	
5-12-2	C07-044-01701	WASHER ,8mm	2	V	
5-12-3	9032080501253	BOLT.M8x50	1	V	
5-12-4	9206081251252	NUT M8x1.25	1	V	
5-12-5	9214080100163	WASHER M8	4	V	
5-12-6	C07-044-00601	PLUG	1	V	
5-12-7	C07-044-02201	ARMREST ADJUSTMENT BASE	1	V	
5-12-8	C05-017-00600	SPACER , φ8.1xφ11x3T	2	V	
5-13	C07-044-00504	ARMREST ,UPPER	1	V	
5-13-1	C07-077-00200	ARMREST ,LOWER	1	V	
5-13-2	C07-044-01701	WASHER ,8mm	2	V	
5-13-3	9032080501253	BOLT.M8x50	1	V	
5-13-4	9206081251252	NUT M8x1.25	1	V	
5-13-5	9214080100163	WASHER M8	4	V	
5-13-6	C07-044-00601	PLUG	1	V	
5-13-7	C07-044-02201	ARMREST ADJUSTMENT BASE	1	V	
5-13-8	C05-017-00600	SPACER , φ8.1xφ11x3T	2	V	
5-14	C07-062-00600	SEAT POST	1	V	
5-15	9367190800350	CURVED WASHER,OD:19mm, ID:6mm, T:3.5T	1	V	
5-16	9250100200253	CURVED WASHER,M10, BLACK OXIDE,10mm ID x21mm OD x2.0mm TH	1	V	
5-17	9035100551501	HEX SOCKET BOLT.M10xP1.5x5SL, GRADE 12.9, DACROMET	1	V	
5-18	9201101001502	LOCK NUT.M10xP1.5, ZINC PLATED	1	V	

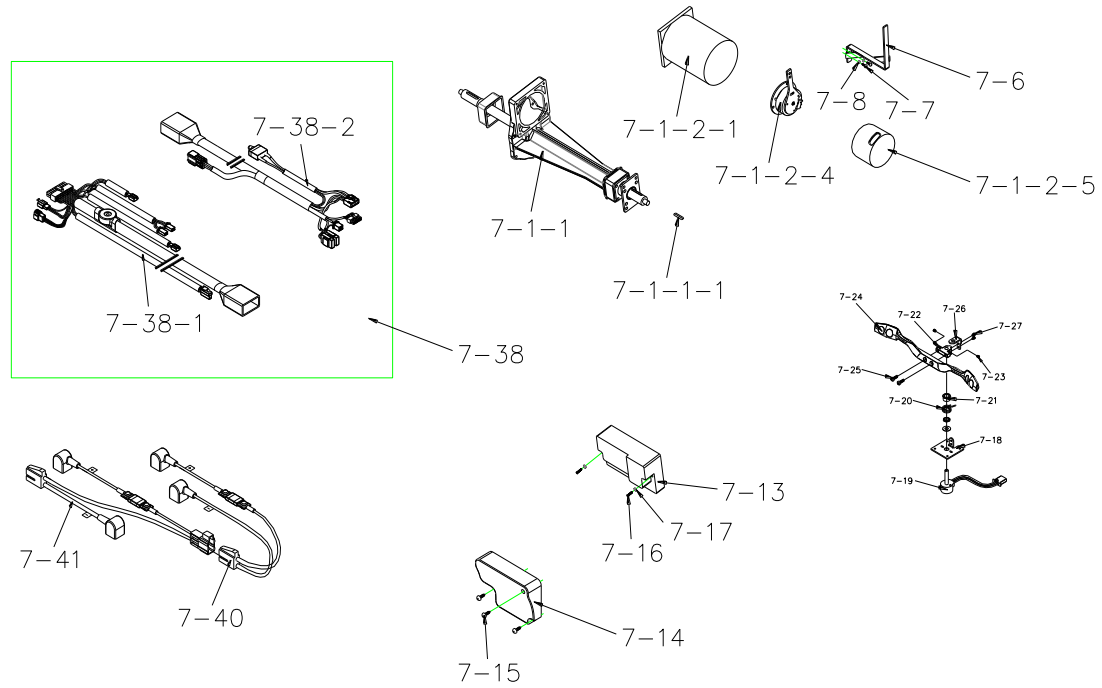
L4D Parts List (2015/09/18)



WT-L4D售服零件表

L4D Parts List (2015/09/18)					
Fig&Index NO.	Parts No.	Parts Name Description	QTY.	EN01	Remark
6	B-L4D-BRAK-00-00	Brake ASSY			
6-1	C01-076-00600	HOLDER , BRAKE	1	V	
6-2	9211050100803	SPRING WASHER.M5	4	V	
6-3	9032050160802	BOLT M5x16	4	V	
6-4	C06-005-00301	COVER BRAKE,REAR	1	V	
6-5	9002060101003	HEX BOLT M6X1.0X10L	4	V	
6-6	9211060150102	SPRING WASHER.M6	4	V	
6-7	C35-051-00201	HOLDER , BRAKE	1	V	
6-8	C35-045-00300	LEVER,BRAKE	1	V	
6-9	9004050200804	BOLT , M5X20L	2	V	
6-10	9211050100802	SPRING WASHER.M5	2	V	
6-11	9214050100122	WASHER	2	V	
6-12	C35-077-00200	LINE,BRAKE	1	V	
6-13	C35-005-00500	NUT,BRAKE	1	V	
6-14	C35-067-00200	SPRING,BRAKE	1	V	
6-15	C35-005-01000	NUT,BRAKE	1	V	
6-16	C34-001-10100	CABLE TIE, 180mm	5	V	

L4D Parts List (2015/09/18)



WT-L4D售服零件表

L4D Parts List (2015/09/18)					
Fig&Index NO.	Parts No.	Parts Name Description	QTY.	EN01	Remark
7	B-L4D-ELEC-00-00	ELECTRIC UNIT			
7-1	C09-077-00100	REAR DRIVE ASS'Y (W/ BOLT /NUT) , 1:22 800W4800RPM	1	V	
7-1-1	C09-076-01200	TRANSAXLE , 1:20, L650mm	1	V	
7-1-1-1	9357005005035	PIN 5x5x35L	2	V	
7-1-2	C09-077-00200	MOTOR, 800W4800RPM	1	V	
7-1-2-1	C09-077-00300	MOTOR ONLY , 800W4800RPM	1	V	
7-1-2-2	C09-029-07900	CARBON BRUSH, 7X11	4	V	
7-1-2-3	C09-029-04500	CARBON BRUSH, COVER	4	V	
7-1-2-4	C09-076-00700	ELECTRO-MAGNETIC BRAKE ,6N-M	1	V	
7-1-2-5	C09-076-00800	COVER, ELECTRO-MAGNETIC BRAKE	1	V	
7-2	C09-076-00100	U-TYPE PLATE, MOTOR	2	V	
7-3	9035080451251	HEXAGON SCREW-BYTE, M8X45L	4	V	
7-4	9214080150232	WASHER	8	V	
7-5	9201080801252	LOCK NUT , M8	4	V	
7-6	C09-077-00401	FREE WHEEL LEVER	1	V	
7-7	9004050150804	BOLT M5x15	2	V	
7-8	9211050100802	SPRING WASHER M5	2	V	
7-9	C10-051-00508	CONTROL PANEL, PC BOARD	1	V	
7-10	9011030080502	BOLT M3x8L	6	V	
7-11	C08-067-02500	PCB COVER	1	V	
7-12	C08-067-02600	SPEED INDICATOR COVER	1	V	
7-13	C10-077-00200	CONTROLLER, DYNAMIC 180A(RHINO 2)	1	V	
7-14	C26-051-00501	COVER CONTROLLER	1	V	
7-15	9011030080502	SELF-TAPPING SCREWS M3X8L	3	V	
7-16	9021050250803	HEXAGON SCREW-BYTE M5X25L	2	V	
7-17	9211050100803	SPRING WASHER M5	2	V	
7-18	C12-001-00403	FIX PLATE, SPEED LEVER	1	V	
7-19	C12-001-01401	VR ONLY	1	V	
7-20	C12-001-00300	TORSION SPRING, SPEED LEVER	1	V	
7-21	C12-001-00102	NUT	1	V	
7-22	C12-009-00700	HOLDER, SPEED LEVER	1	V	
7-23	9358040040753	LOCKING SCREW, 4x4	2	V	
7-24	C12-051-00102	SPEED LEVER	1	V	
7-25	9004040120704	BOLT, M4x12	2	V	
7-26	C12-001-01501	HOLDER, SPEED LEVER COMP.	1	V	
7-27	9004030040504	BOLT M3x4L	2	V	
7-28	9004030080504	BOLT M3x8L	4	V	
7-29	C13-077-00100	LIGHT, WHITE	1	V	
7-30	9214060100132	WASHER M6	2	V	
7-31	9201060601002	Lock Nut, M6, ED	2	V	
7-32	C15-062-00401	LIGHT, YELLOW, R	1	V	
7-33	C15-062-00801	LIGHT, YELLOW, L	1	V	
7-34	C14-062-00600	LIGHT, YELLOW, R	1	V	
7-35	C14-077-00200	LIGHT, RED, R	1	V	
7-36	C14-062-01000	LIGHT, YELLOW, L	1	V	
7-37	C14-077-00100	LIGHT, RED, L	1	V	
7-38	C18-077-00100	WIRE HARNESS ASS'Y	1	V	
7-38-1	C18-077-00200	WIRE HARNESS, FRONT	1	V	
7-38-2	C18-077-00300	WIRE HARNESS, REAR	1	V	
7-39	C18-062-00400	CABLE, REAR LIGHT	1	V	
7-40	C17-029-00403	BATTERY CABLE(-)	1	V	
7-41	C17-029-00303	BATTERY CABLE(+)	1	V	
7-42	C18-001-01501	ELECTRONIC, KEY SWITCH.	1	V	
7-43	C18-001-01502	CHARGER SOCKET ASSY	1	V	
7-44	9014250080002	BOLT 2.5x8L	2	V	
7-45	C25-005-00100	RUBBER PAD, BATTERY	2	V	
7-46	C31-029-00101	VELCRO STRIP, BATTERY	2	V	
7-47	C34-001-10100	CABLE TIE, 250mm	5	V	

WT-L4D售服零件表

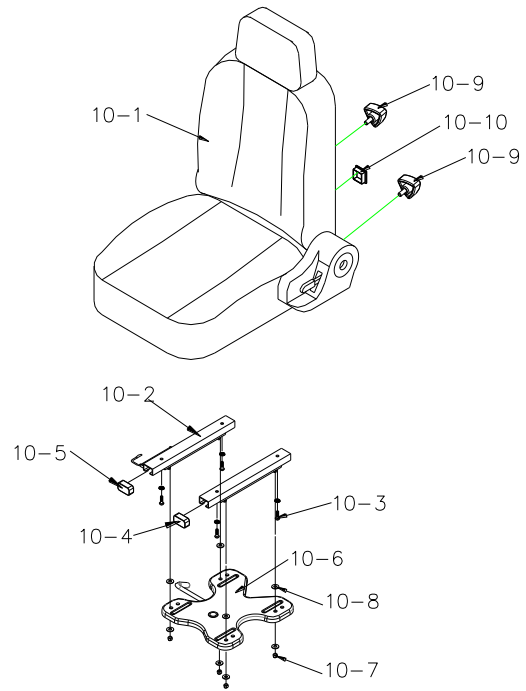
L4D Parts List (2015/09/18)					
Fig&Index NO.	Parts No.	Parts Name Description	QTY.	EN01	Remark
8	B-L4D-ADD-00-00	BLINKER AND LABEL			
8-1	C27-001-10100	MIRROR COMP W/O DECORATION	1	V	
8-1-1	C37-001-00201	MIRROR , R	1	V	
8-1-2	C37-001-00300	MIRROR , L	1	V	
8-1-3	9202100601252	NUT M10xP1.25	2	V	
8-2	C17-005-00200	BATTERY 12V50AH	2	V	
8-2	C17-022-00200	BATTERY 12V75AH	2	V	
8-3	C27-001-00200	CE LABEL 30mmx23mm	1	V	
8-3	C27-001-06403	CE LABEL 110mmx25mm_EN	1	V	
8-4	C27-009-01700	LABEL , EMI	1	V	
8-5	C27-060-02200	LABEL , FREEWHEEL-ENGAGED	1	V	
8-6	C27-062-00100	LABEL , BATTERY LAYOUT	1	V	
8-7	C27-062-00200	LABEL , HANDLE BAR WARING	1	V	
8-8	C27-032-01600	LABEL , CHARGER	1	V	
8-9	C01-003-01200	VELCRO STRIP , BATTERY	2	V	
8-10	C34-022-00100	VELCRO STRIP	2	V	
8-11	C27-062-02801	LABEL , USB WORING	1	V	

WT-L4D售服零件表

L4D Parts List (2015/09/18)

Fig&Index NO.	Parts No.	Parts Name Description	QTY.	EN01	Remark
9	B-L4D-PACK-00-00	ACCESSORIES			
9-1	C12-076-00300	CHARGER, 5A	1	V	
9-2	C12-001-00500	POWER CABLE, CHARGER, EN	1	V	
9-3	C26-001-00701	PLUG	1	V	
9-4	C26-016-00501	RUBBER COVER, SEAT ROTATION LEVER	1	V	
9-5	C37-077-00100	OWNER'S MANUAL, UK	1	V	
9-6	C99-077-00100	CARTON, EN 01	1	V	
9-7	C23-051-00200	BASKET	1	V	
9-8	C27-077-00200	SHAP LABEL, RED11	1	V	
9-8	C27-077-00300	SHAP LABEL, BLUE51	1	V	
9-8	C27-077-00400	SHAP LABEL, RED18	1	V	

L4D Parts List (2015/09/18)

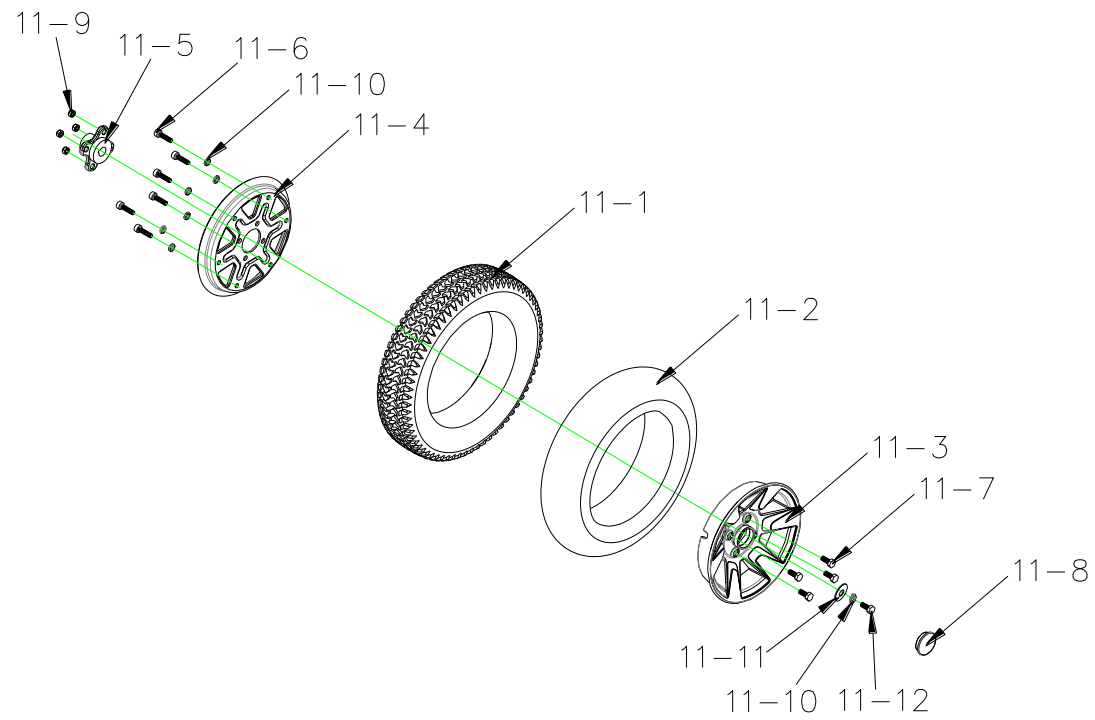


WT-L4D售服零件表

L4D Parts List (2015/09/18)

Fig&Index NO.	Parts No.	Parts Name		QTY.	EN01	Remark
		Description				
10	S07-077-00100	SEAT ASS'Y ,TA378C3		1SET	V	
10-1	C07-066-00300	18*18*22" SEAT , MODEL : TA386C3		1	V	
10-2	C07-016-00600	SLIDING , 150mm		1	V	
10-3	9032080151253	BOLT,M8x15		4	V	
10-4	C26-003-00200	PLUG ,SLIDING-L		1	V	
10-5	C26-003-00300	PLUG ,SLIDING-R		1	V	
10-6	C07-051-00403	HOLDER PLATE , SEAT		1	V	
10-7	9201080801252	LOCK NUT,M8x1.25		4	V	
10-8	9214880150232	WASHER		8	V	
10-9	C30-001-10202	BOLT,W/I KNOB , M8x25L		2	V	
10-10	C26-001-00401	BOLT,W/I KNOB		1	V	

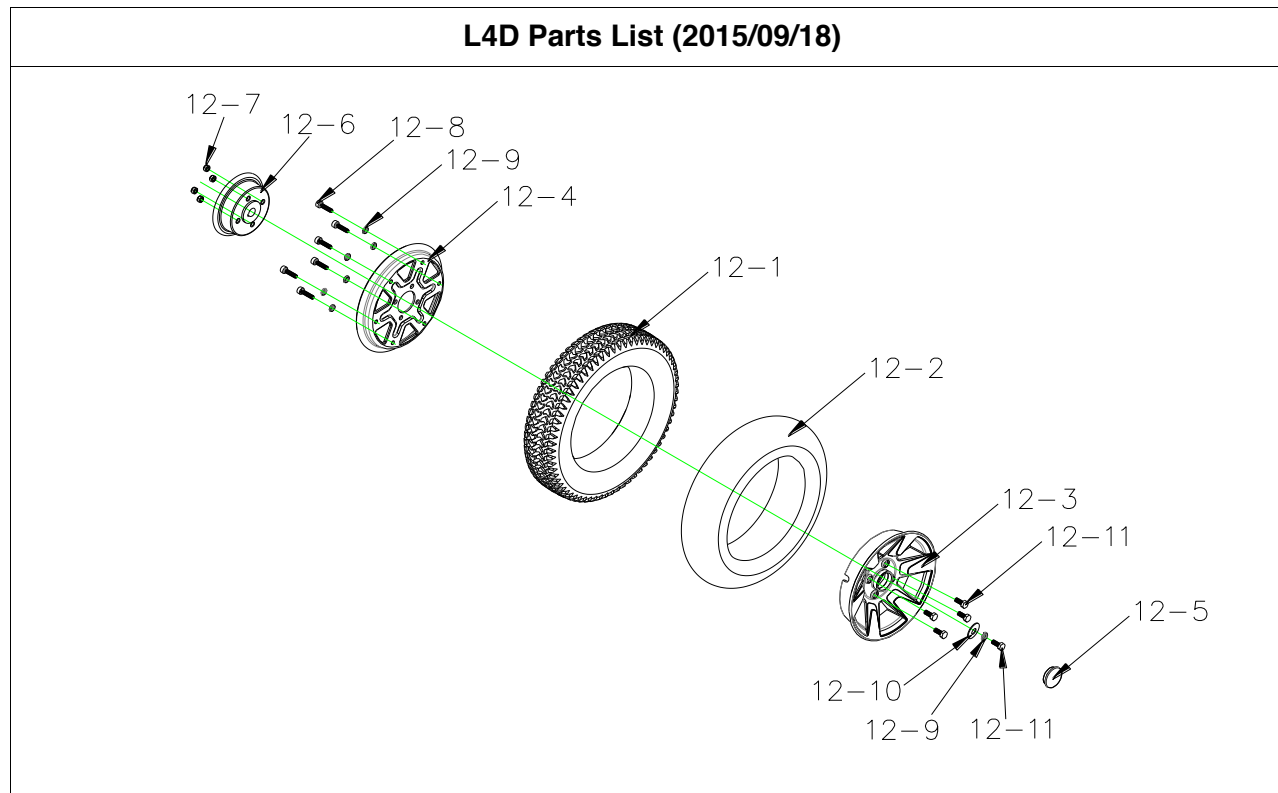
L4D Parts List (2015/09/18)



WT-L4D售服零件表

L4D Parts List (2015/09/18)

Fig&Index NO.	Parts No.	Parts Name Description	QTY.	EN01	Remark
11	S06-051-00900	REAR TIRE ASSY, BLACK, R	1SET	V	
11-1	C06-051-00100	TIRE, BLACK, 3.0-8C248-16	1	V	
11-2	C06-051-00201	INNER TUBE, 3.0-8	1	V	
11-3	C05-051-00302	WHEEL RIM, ALUMINUM, 8"	1	V	
11-4	C05-051-00401	WHEEL RIM, IRON, 8"	1	V	
11-5	C06-051-00402	AXLE COLLAR, REAR WHEEL	1	V	
11-6	9021080301253	BOLT M6x30L	6	V	
11-7	9001080301251	HEXAGONAL BOLT M8x1.25x25L	4	V	
11-8	C26-060-00502	WHEEL COVER	1	V	
11-9	9201080801252	LOCK NUT, M8x1.25	4	V	
11-10	9211080200142	SPRING WASHER, 5/16	1	V	
11-11	9214080300232	WASHER, 5/16	2	V	
11-12	9002080201255	HEXAGONAL BOLT M8x1.25x20L	2	V	

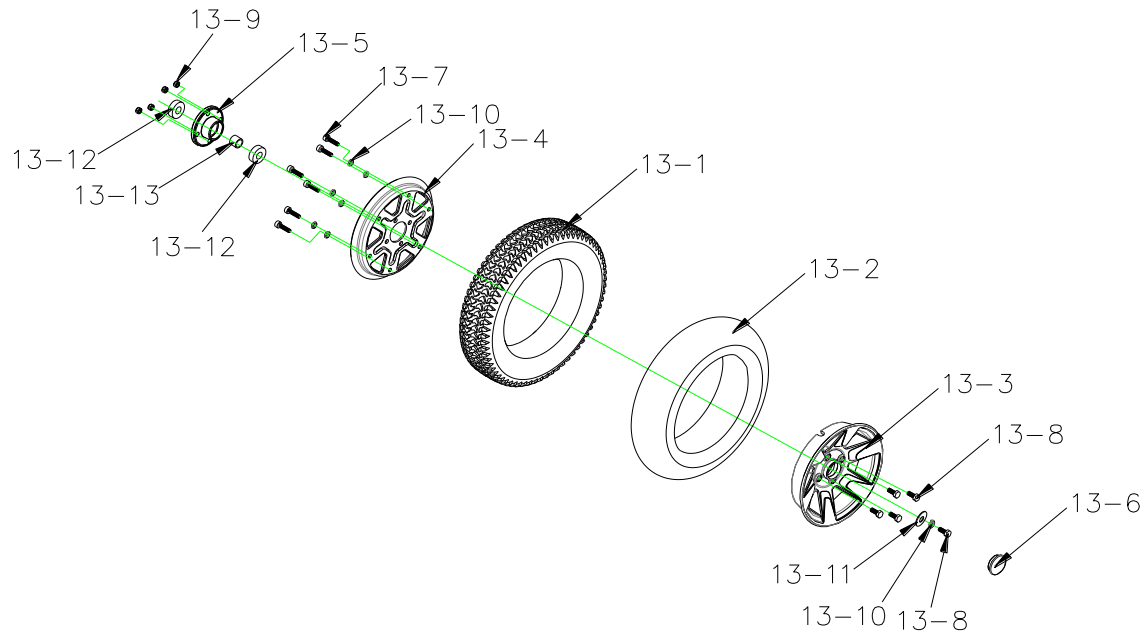


WT-L4D售服零件表

L4D Parts List (2015/09/18)

Fig&Index NO.	Parts No.	Parts Name Description	QTY.	EN01	Remark
12	S06-051-01000	REAR TIRE ASSY,BLACK, L	1SET	V	
12-1	C06-051-00100	TIRE, BLACK, 3.0-8C248-16	1	V	
12-2	C06-051-00201	INNER TUBE, 3.0-8	1	V	
12-3	C05-051-00302	WHEEL RIM, ALUMINUM, 8"	1	V	
12-4	C05-051-00401	WHEEL RIM, IRON, 8"	1	V	
12-5	C26-060-00502	WHEEL COVER	1	V	
12-6	C06-051-00302	WHEEL RIM, STEEL	1	V	
12-7	9201080801252	LOCK NUT, M8x1.25	4	V	
12-8	9021080301253	BOLT M6x30L	6	V	
12-9	9211080200142	SPRING WASHER, 5/16	1	V	
12-10	9214080300232	WASHER, 5/16	2	V	
12-11	9602080201251	BOLT, M8x20L	5	V	

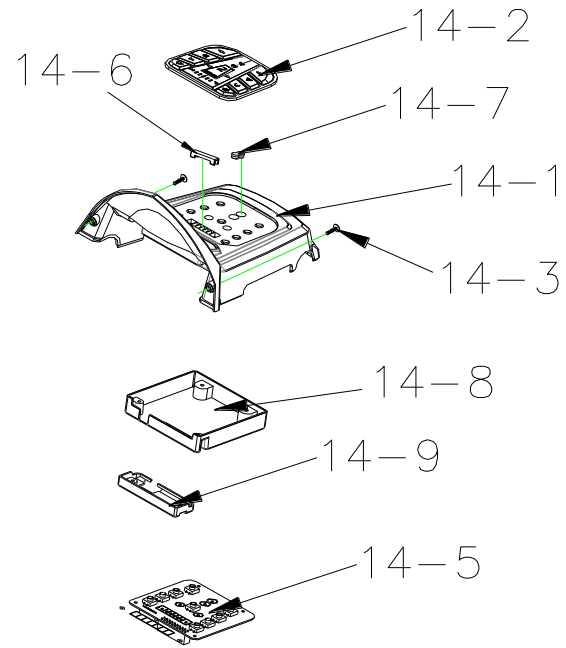
L4D Parts List (2015/09/18)



WT-L4D售服零件表

L4D Parts List (2015/09/18)					
Fig&Index NO.	Parts No.	Parts Name Description	QTY.	EN01	Remark
13	S05-051-00600	FRONT TIRE ASS'Y 3.0-8C248 BLACK	1SET	V	
13-1	C06-051-00100	TIRE , 3.0-8C248 BLACK	1	V	
13-2	C06-051-00201	INNER TUBE 3.0-8	1	V	
13-3	C05-051-00302	WHEEL RIM , ALUMINUM , 8"	1	V	
13-4	C05-051-00401	WHEEL RIM , IRON , 8"	1	V	
13-5	C05-001-10501	AXLE COLLAR,FRONT WHEEL	1	V	
13-6	C26-060-00502	WHEEL COVER	1	V	
13-7	9021080301253	BOLT M6x30L	6	V	
13-8	9001080301251	HEXAGONAL BOLT M8x1.25x25L	4	V	
13-9	9201080801252	LOCK NUT, M8x1.25	4	V	
13-10	9211080200142	SPRING WASHER , 5/16	1	V	
13-11	9214080300232	WASHER M8	1	V	
13-12	9653060020000	BEARING , 6202ZZ	2	V	
13-13	C05-051-00200	SPACER	1	V	

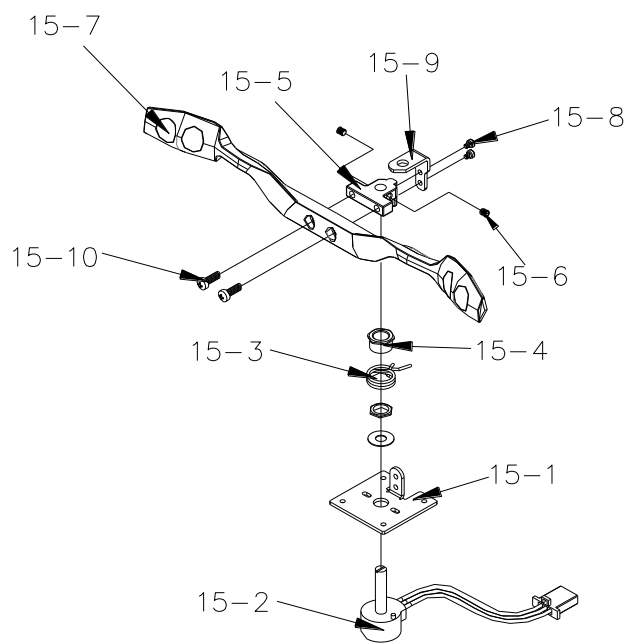
L4D Parts List (2015/09/18)



WT-L4D售服零件表

L4D Parts List (2015/09/18)					
Fig&Index NO.	Parts No.	Parts Name	QTY.	EN01	Remark
		Description			
14	S08-077-00165	COVER, HANDLE BAR ASS'Y, UPPER	1SET	V	
14-1	C08-077-00265	Control Panel Cover, Black	1	V	
14-2	C10-051-00601	CONTROL PANEL BUTTON	1	V	
14-3	9011030080502	BOLT M3x8L	6	V	
14-4	C27-077-00100	BATTERY INDICATOR	1	V	
14-5	C10-051-00507	CONTROL PANEL PC BOARD	1	V	
14-6	C26-051-00200	SPEED INDICATOR PAD	1	V	
14-7	C26-051-00301	FRONT/REAR LIGHT DISPLAY PAD	1	V	
14-8	C08-067-02500	PCB COVER	1	V	
14-9	C08-067-02600	SPEED INDICATOR COVER	1	V	

L4D Parts List (2015/09/18)



WT-L4D售服零件表

L4D Parts List (2015/09/18)					
Fig&Index NO.	Parts No.	Parts Name Description	QTY.	EN01	Remark
15	S12-051-00100	SPEED DIAL ASS'Y	1	SET	V
15-1	C12-001-00403	FIX PLATE , SPEED LEVER	1	V	
15-2	C12-001-01401	VR ONLY	1	V	
15-3	C12-001-00300	TORSION SPRING , SPEED LEVER	1	V	
15-4	C12-001-00102	NUT	1	V	
15-5	C12-009-00700	HOLDER , SPEED LEVER	1	V	
15-6	9358040040753	LOCKING SCREW , 4x4	2	V	
15-7	C12-051-00103	SPEED LEVER	1	V	
15-8	9004040120704	BOLT M4x12	2	V	
15-9	C12-001-01501	HOLDER , SPEED LEVER COMP.	1	V	
15-10	9004030040504	BOLT M3x4L	2	V	